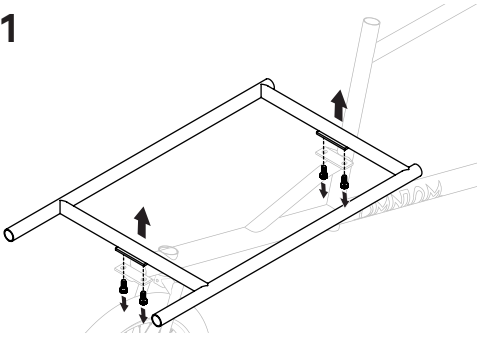


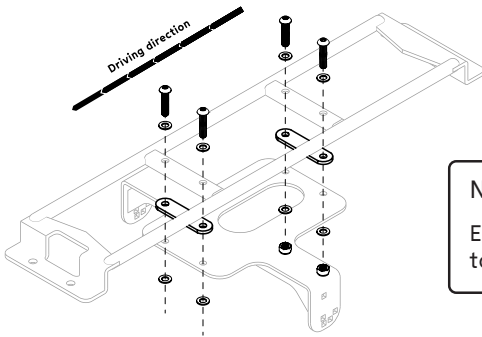
1



## 1. DETACHING THE RACK

- Locate the four M10 bolts positioned underneath the rack on your bike.
- Unscrew the four M10 bolts using the appropriate tool to detach the rack from the bike frame.
- Remove the rack from the frame, setting it aside for now

2



## 2. ATTACHING THE BABY CARRIER BRACKET

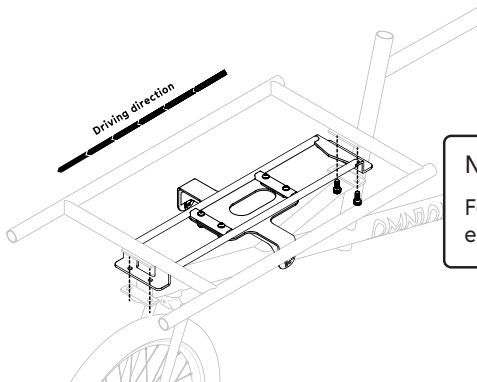
- Align the Baby Carrier Bracket's main bracket and the two spacer plates underneath the four holes on the Child Seat Rack.

NB

Ensure the parts are positioned correctly according to the direction mentioned in the illustration.

- Clamp all parts together in alignment, following the illustrated guide.

3



## 3. REATTACHING THE RACK

- Carefully place the Child Seat Rack with the Baby Carrier Mount already attached back onto the bike frame.
- Place the rack on top of the Child Seat Rack, ensuring everything is in place.

NB

Follow the direction given in the illustration to ensure proper alignment.

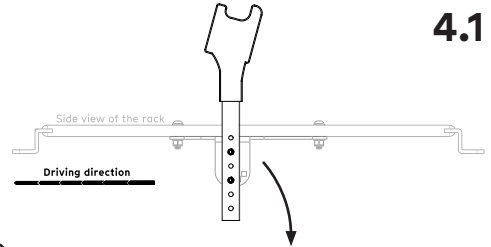
- Tighten the four M10 bolts securely between the frame and the rack, ensuring it is fastened firmly to avoid any loose connections. Tighten to **18-20 Nm**.

## 4. ADJUSTING THE MOUNTING ARMS

- Depending on your car seat type, adjust the mounting arms as follows:

### 4.1 FOR STANDARD CAR SEATS (e.g., maxi cosi, römer, cybex)

- Attach the mounting arms vertically for these standard car seat models.
- Adjust the mounting arms in height by steps of 2 cm. Ensure the correct holes are selected for the best fit for your product.

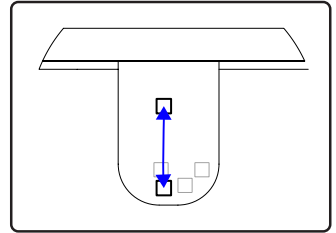


4.1

NB

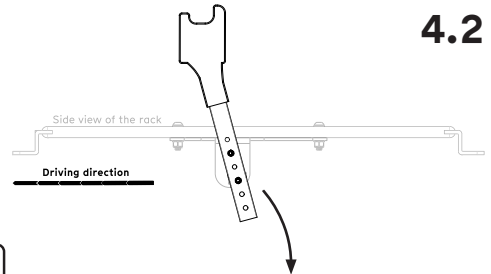
Refer to the illustration for the correct direction.

- Mount the carriage bolt inside the main bracket.
- Tighten the washer and locknut on the outside of the mounting arms for secure attachment.



### 4.2 FOR CARRYCOT CAR SEATS (e.g., Nuna Cari Next, Joie Calmi)

- Attach the mounting arms slightly tilted when using a Carrycot-type car seat.
- Adjust the mounting arms in height by steps of 2 cm. Select the holes best suited for your product.

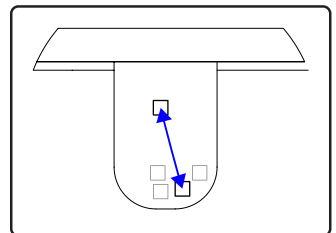


4.2

NB

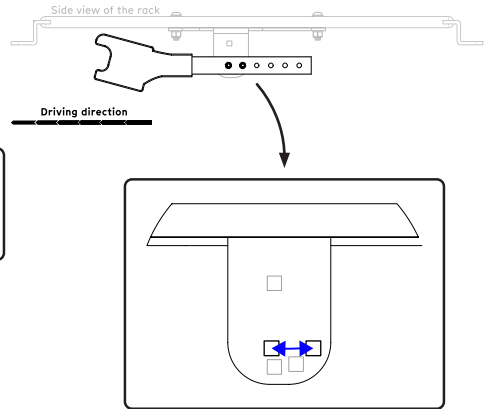
Check the illustration for the specific direction.

- Mount the carriage bolt inside the main bracket.
- Tighten the washer and locknut on the outside of the mounting arms for secure attachment.



## 4.3 HORIZONTAL CONFIGURATION FOR LARGER GOODS

- Attach the mounting arms horizontally if the rack area is needed for carrying larger items.



**NB**  
Follow the direction provided in the illustration

- Mount the carriage bolt inside the main bracket.
- Tighten the washer and locknut on the outside of the mountings arms.

**COMPATIBILITY LIST:**

**Baby Car Seats:**

- BRITAX RÖMER I-Size
- BUGABOO Turtle Air x NUNA
- CYBEX Cloud T iSize
- CYBEX Cloud G iSize
- CYBEX Z2 Cloud iSize
- JOIE I-Snug 2
- MAXI-COSI Cabriofix
- MAXI-COSI Coral 360

**Carrycots:**

- JOIE Calmi R129
- NUNA Cari Next

**NB**  
There are likely more products that are compatible with this system. Additionally, items on this list may undergo changes, so it's important to always validate the fit before purchasing any products.

**FAILSAFE RETENTION SYSTEM:**

- You **MUST** understand that while we have complete confidence in the Baby Carrier Mount's safety, quality, and testing, we cannot account for human error, rider behaviour, other road users, road and weather conditions, or any external factors outside our reasonable control.
- Additionally, we cannot guarantee the integrity or condition of your OMNIUM bicycle, Child Seat Rack, third-party baby car seats, carrycots, or the Baby Carrier Mount itself at the time of installation or use — particularly if any of these items have been pre-owned or bought second-hand. Therefore, additional precautions are essential.
- As a **CRITICAL** safety step, the included failsafe retention system **MUST ALWAYS** be used to ensure a higher level of safety for your child.
- You **MUST** use the cargo lashing strap, rated at 450 kg tensile strength, as a backup safety measure in case any attachment points of the baby car seat or carrycot are faulty, damaged, or fail unexpectedly during rapid deceleration or acceleration forces, such as sudden braking or swerving to avoid hidden hazards.
- The provided strap is designed to securely fasten a baby car seat or carrycot alongside the mounting arms. However, if it is too short, please get in touch.
- You **MUST** ensure that the strap is positioned considerably and tightened appropriately without interfering with the bicycle's operation or posing a risk to your child. **ALWAYS** check for slack that could entangle or come into contact with your child or any moving parts, including the wheels, steering rod, and drivetrain. Avoid allowing the strap to wrap over the steering rod or mudguards, and ensure that any straps from the baby car seat or carrycot also do not hang loose or over the side of the cargo rack.
- Regular inspection and proper use of this system will provide peace of mind while cycling with your child.

# ⚠️ DISCLAIMER ⚠️

OMNIUM

PLEASE READ ALL OF THE FOLLOWING SAFETY INSTRUCTIONS AND USAGE GUIDELINES CAREFULLY AND KEEP THEM FOR FUTURE REFERENCE

FAILURE TO COMPLY WITH THESE INSTRUCTIONS PROVIDED COULD LEAD TO SERIOUS INJURY OR DEATH OF THE BICYCLE OPERATOR AND/OR CHILD

## 1. ESSENTIAL SAFETY INFORMATION

### GENERAL

- a. **The Baby Carrier Mount is intended for use only in the EU/EEA** and is compatible with some baby car seats and carrycots from Maxi Cosi, Römer, Nuna, Joie, Cybex, and others.
- b. **This product is suitable for baby car seats or carrycots carrying children weighing up to a maximum of 13 kg**, and has undergone rigorous dynamic load testing. However, improper installation or use can present serious safety risks.
- c. **You MUST ensure compliance with all applicable laws and regulations specific to carrying a child on a bicycle in your region** before using the Baby Carrier Mount.
- d. **You MUST only use a baby car seat or carrycot specifically designed for motorised vehicles, equipped with a 3 or 5-point safety harness, and compliant with your region's safety standards** (e.g. ECE R129 or ECE R44).
- e. The manufacturer is not liable for any damages or injuries resulting from misuse; improper installation, assembly, maintenance, or storage; failure to follow instructions; non-compliance with technical or use specifications; modifications and repairs made by you or a third party; or use beyond the recommendations provided in these Safety Instructions and Usage Guidelines.
- f. While this information has been provided with the utmost care, no rights can be derived from it. OMNIUM ApS does not accept any liability arising from the content of this document.

### KEY SAFETY MEASURES

- a. **You MUST install and configure the Baby Carrier Mount and Child Seat Rack according to the instruction manuals, and ensure the mounting arms are level and angled correctly.**
- b. **You MUST regularly check that all bolts, nuts, and attachment points are securely tightened** to the recommended torque settings to fasten the Baby Carrier Mount and Child Seat Rack to the bicycle.
- c. **The base of the baby car seat or carrycot MUST sit as flush as possible against the rack without touching the bicycle frame**; verify that all bicycle parts function correctly with the Baby Carrier Mount installed, both before and after attaching the seat or carrycot, but without your child in it.
- d. **Before attaching the baby car seat or carrycot to the mounting arms, you MUST ALWAYS ensure that your child is securely fastened in its harness and confirmed with a check.**
- e. **You MUST ensure that the baby car seat or carrycot is correctly secured to the mounting arms of the Baby Carrier Mount and confirmed with a check.**
- f. **You MUST use the included failsafe retention system (cargo lashing strap), which is ESSENTIAL for the secure and reliable operation of your Baby Carrier Mount.**
- g. **You MUST carefully consider that the bicycle could behave differently with the load of a baby car seat or carrycot with a child attached**, altering the riding characteristics of the bicycle, particularly regarding stability, balance, steering, and braking.
- h. **Before each ride, you MUST ALWAYS check that all bolts, nuts, mounting arms, and attachment points are securely tightened**, including the cargo rack bolts, to ensure that the Baby Carrier Mount and Child Seat Rack are securely fastened to the bicycle.
- i. **You MUST ALWAYS check that all straps, including those in the baby car seat or carrycot safety harness and the**

failsafe retention system, are not twisted or loose, as they could pose a hazard.

- j. **The bicycle MUST be kept in good working order and SHOULD operate as a safe, well-maintained bicycle normally would.**
- k. **NEVER leave your child, or the bicycle with your child unattended at ANY time.**
- l. **Before each ride, you MUST ensure that the attached baby car seat or carrycot with your child, or any additional retention system, does not interfere with braking, pedalling, or steering.**
- m. **NEVER ride the bicycle at night or in poorly lit areas without adequate lighting that complies with applicable laws and regulations in your region, including reflectors.** Always use bright, visible lights to ensure your safety and increase your visibility to others.
- n. **You MUST ride in a safe, sensible, careful, and responsible manner at all times when carrying your child.**
- o. **DO NOT use the baby car seat or carrycot to carry goods or cargo while your child is secured**, as they may exceed the load limit of the product and pose suffocation, strangulation, or impact risks to your child.
- p. **Any cargo or other objects MUST be properly secured to the front end of the bicycle (if there is adequate space) and MUST NOT be unreasonably heavy, bulky, or potentially dangerous, nor interfere with the safe operation of the bicycle.**
- q. **DO NOT allow any part of your child's body, clothing, shoelaces, coverings, toys, or any other objects (such as swaddle cloths) to come into contact with moving parts of the bicycle**, such as the wheels, steering rod, drivetrain, or other passing objects.
- r. **You MUST ensure there are no objects within reach of your child that could interfere with the safe operation of the bicycle or harm them.**
- s. **You MUST NEVER ride in inclement or hazardous conditions**, such as very cold

weather that could cause your child to suffer frostbite, or extreme heat.

- t. **In varying weather, you SHOULD always carry a waterproof covering for your child, ensure they are appropriately dressed for the conditions, and be mindful of wind chill that increases with speed.** Additionally, on hot and sunny days, take care to protect your child from direct sunlight to prevent overheating, ensuring they remain adequately cool.
- u. **You MUST regularly check for fractures or visible cracks in the baby car seat or carrycot, particularly the mechanisms that attach to the mounting arms of the Baby Carrier Mount.**
- v. **You SHOULD regularly inspect the Baby Carrier Mount for any signs of unexpected damage or corrosion on bolts, nuts, mounting arms, and attachment points.** Pay special attention to the cargo rack and its bolts, looking for any wear and tear that could pose a safety risk.

## 2. PRODUCT SETUP

### COMPATIBILITY LIST

The Baby Carrier Mount has been tested with the following:

#### Baby car seats:

- a. Cybex Cloud T i-Size
- b. Maxi-Cosi CabrioFix
- c. Cybex Cloud Z2 i-Size
- d. Cybex Cloud G i-Size
- e. Joie i-Snug 2
- f. Bugaboo Turtle Air by Nuna
- g. Maxi-Cosi Coral 360
- h. Britax Römer i-Size

#### Carrycots:

- i. Nuna CARI next
- j. Joie Calmi R129

Items on this list may change, so always check compatibility before purchasing. If you've already bought a new baby car seat or carrycot from a retailer — you should have statutory rights to verify its fit and return it if the product is incompatible.

### SAFETY CONSIDERATIONS BEFORE SETUP

- a. You MUST note that the Child Seat Rack is a prerequisite, and the Baby Carrier Mount will NOT function without this accessory.
- b. You MUST ensure your OMNIUM model is compatible with the Baby Carrier Mount. Compatible models include both non-electric and electric versions of Cargo and Mini-Max, including titanium versions. The Mini is NOT compatible with this product.
- c. The Baby Carrier Mount is NOT compatible with the OMNIUM Carbon Rack, the older Thule Yepp Maxi Child Seat Bracket, Cargo Wedgie Bag or Mini-Max Wedgie Bag.
- d. DO NOT install on any bicycle, cargo rack, or Child Seat Rack that has previously been involved in a crash or accident, or where its structural integrity is known to be compromised for any other reason.
- e. You MUST avoid improper installation of the Baby Carrier Mount, baby car seat, carrycot, or other bicycle components, as this may lead to damage to your bicycle, malfunction of the Baby Carrier Mount, and an increased risk of injury to the operator and/or child.
- f. If you have any questions or are unsure which model you have, please contact us.

### INSTALLATION SAFETY MEASURES

- a. You MUST mount the Baby Carrier Mount as described in the instruction manual, as with the Child Seat Rack. Pay close attention to the minimum and maximum positions of the mounting arms.
- b. You MUST ensure each mounting arm is fixed at the same height and angle position as the opposite arm.
- c. You MUST ensure that any bolts, nuts, mounting arms, and attachment points are securely tightened (to recommended torque settings as stated in the instruction manual), including the cargo rack bolts, to ensure the Baby Carrier Mount and Child Seat Rack are securely fastened to the bicycle. Check them frequently.
- d. When setting up the mounting

arms, you MUST ensure the base of the baby car seat or carrycot sits as low and flush as possible to the rack or webbing without touching the bicycle frame, other solid accessories, or parts.

- e. You MUST check that all parts of the bicycle function correctly with the Baby Carrier Mount installed, BOTH before attaching a baby car seat or carrycot AND while the baby seat or carrycot is in place, but without your child in it.
- f. When riding for the first time with the baby car seat or carrycot fitted, you MUST test ride the cycle in a safe, quiet environment before riding on the street with your child.
- g. DO NOT modify the Baby Carrier Mount in any way beyond the setup guidance and adjustments specified in the installation instructions (for example, adjusting the mounting arm positions and angles).
- h. If you have uncertainties or concerns regarding the installation consult a professional.

## 3. PRODUCT USAGE

### ATTACHING THE BABY CAR SEAT OR CARRYCOT

- a. You MUST ensure compliance with all applicable laws and regulations specific to carrying a child on a bicycle in your region before using the Baby Carrier Mount.
- b. The baby car seat or carrycot you intend to use MUST be designed for cars and other motorised vehicles and have an inbuilt 3 or 5-point safety harness. It MUST comply with the currently permitted safety standards of your region. In Europe, this would be ECE R129 or ECE R44.
- c. In other words, it MUST be specifically designed to transport a child in a motorised vehicle (such as a car) and have inbuilt vehicle attachment/restraint points and/or an adapter or base that enables it to be safely fitted inside a vehicle.
- d. You MUST follow all safety instructions and guidance regarding the use of your specific baby car seat or carrycot and DO NOT exceed

its specified maximum capacity regarding your child's height and weight (check this regularly). Please pay attention to all instructions and warnings in the manufacturer's handbook.

- e. You **MUST NOT** carry a child that is too young or small for your baby car seat or carrycot, and ensure you have the necessary parts and accessories required by the manufacturer for your child's height and weight. If there is an infant insert for your baby car seat or carrycot recommended for use up until a certain age or size, it **MUST** be used. If in doubt, consult your paediatrician before transporting a child younger than one year old.
- f. Before attaching the baby car seat or carrycot to the mounting arms, you **MUST ALWAYS** ensure that your child is securely fastened in its harness according to the manufacturer's instructions. Confirm that the harness is correctly fitted and securely engaged with a visual, audible, and physical check (such as pulling on each side of the harness).
- g. You **MUST** ensure that the baby car seat or carrycot is correctly secured to the mounting arms of the Baby Carrier Mount by confirming that the attachment points on each side are fully engaged and secure through a visual, audible, and physical check (such as a firm pull on the baby car seat or carrycot on each side).
- h. You **MUST** use the included failsafe retention system (cargo lashing strap), which is **ESSENTIAL** for the secure and reliable operation of your Baby Carrier Mount.
- i. The attached baby car seat or carrycot (and your child's face) **MUST ALWAYS** face the rider.
- j. You **MUST** carefully consider that the bicycle could behave differently with the load of a baby car seat or carrycot with a child attached, altering the riding characteristics of the bicycle, particularly regarding stability, balance, steering, and braking.
- k. Before each ride, you **MUST ALWAYS** check that all bolts, nuts, mounting arms, and attachment points are securely

tightened, including the cargo rack bolts, to ensure that the Baby Carrier Mount and Child Seat Rack are securely fastened to the bicycle.

- i. You **MUST ALWAYS** check that all straps, including those in the baby car seat or carrycot safety harness and the failsafe retention system, are not twisted or loose, as they could pose a hazard.
- m. You **MUST** regularly check that your child cannot reach or accidentally disengage any buckles or safety attachments, securing all components to prevent accidental release.
- n. You **MUST NOT** leave the baby car seat or carrycot (even without your child in it) attached when not in use.
- o. You **MUST NOT** exceed the total rated capacity of your OMNIUM's cargo rack area and bicycle. For example, if you have extra cargo on the bicycle in front of the baby car seat or carrycot.
- p. For reference, the maximum loading weight on the front rack is 85 kg for both the Cargo and Mini-Max models. The maximum total loading weight including rider is 175 kg for the Cargo model and 150 kg for the Mini-Max model.
- q. You **SHOULD** carefully consider that the centre of balance of the cargo rack area on the Mini-Max is different from the Cargo model's cargo rack area due to the longer wheelbase — as such, the Cargo model's cargo rack area is typically more stable when loading, mounting the bicycle as a rider, and while riding and steering.

## FAILSAFE RETENTION SYSTEM

- a. You **MUST** understand that while we have complete confidence in the Baby Carrier Mount's safety, quality, and testing, we cannot account for human error, rider behaviour, other road users, road and weather conditions, or any external factors outside our reasonable control.
- b. Additionally, we cannot guarantee the integrity or condition of your OMNIUM bicycle, Child Seat Rack, third-party baby car seats, carrycots, or the Baby Carrier Mount itself at the time of installation or use

— particularly if any of these items have been pre-owned or bought second-hand. Therefore, additional precautions are essential.

- c. As a **CRITICAL** safety step, the included failsafe retention system **MUST ALWAYS** be used to ensure a higher level of safety for your child.
- d. You **MUST** use the cargo lashing strap, rated at 450 kg tensile strength, as a backup safety measure in case any attachment points of the baby car seat or carrycot are faulty, damaged, or fail unexpectedly during rapid deceleration or acceleration forces, such as sudden braking or swerving to avoid hidden hazards.
- e. The provided strap is designed to securely fasten a baby car seat or carrycot alongside the mounting arms. However, if it is too short, please get in touch.
- f. You **MUST** ensure that the strap is positioned considerably and tightened appropriately without interfering with the bicycle's operation or posing a risk to your child. **ALWAYS** check for slack that could entangle or come into contact with your child or any moving parts, including the wheels, steering rod, and drivetrain. Avoid allowing the strap to wrap over the steering rod or mudguards, and ensure that any straps from the baby car seat or carrycot also do not hang loose or over the side of the cargo rack.
- g. Regular inspection and proper use of this system will provide peace of mind while cycling with your child.

## SAFE OPERATION

- a. The bicycle **MUST** be kept in good working order and **SHOULD** operate as a safe, well-maintained bicycle normally would.
- b. **NEVER** leave your child, or the bicycle with your child unattended at any time. The bicycle could tip with the kickstand extended in situations such as strong winds, if parked on a slightly tilted angle, or if someone else accidentally knocks the bicycle.
- c. Before each ride, you **MUST** ensure that the attached baby car seat or carrycot with your

child, or any additional retention system, does not interfere with braking, pedalling, or steering.

- d. You SHOULD wear a bicycle helmet while riding, which is compliant with the currently permitted safety standards in your region. For example, within Europe, this would be EN 1078.
- e. NEVER ride the bicycle at night or in poorly lit areas without adequate lighting that complies with applicable laws and regulations in your region, including reflectors. Always use bright, visible lights to ensure your safety and increase your visibility to others.
- f. You MUST ride in a safe, sensible, careful, and responsible manner at all times when carrying your child. This product is NOT suitable for use during sport-style activities.
- g. DO NOT ride in an extreme or adventurous manner while carrying your child, such as sending it down a mountainside single-track. Our bicycles are capable of many things, but your child is probably not (yet).
- h. DO NOT use the baby car seat or carrycot to carry goods or cargo while your child is secured, as they may exceed the load limit of the product and pose suffocation, strangulation, or impact risks to your child.
- i. Any cargo or other objects MUST be properly secured to the front end of the bicycle (if there is adequate space) and MUST NOT be unreasonably heavy, bulky, or potentially dangerous, nor interfere with the safe operation of the bicycle.
- j. DO NOT allow any part of your child's body, clothing, shoelaces, coverings, toys, or any other objects (such as swaddle cloths) to come into contact with moving parts of the bicycle, such as the wheels, steering rod, drivetrain, or other passing objects.
- k. You MUST ensure there are no objects within reach of your child that could interfere with the safe operation of the bicycle or harm them. For example, this includes sharp objects, frayed cables, or risks of strangulation or suffocation.

- l. You MUST pay attention to your child regularly during the ride.
- m. Take care when getting on or off the bicycle, as the presence of a baby car seat or carrycot may require you to change how you do this. You SHOULD pay extra attention to your movements to ensure safety.

## 4. CHILD SAFETY DURING USE

- a. You MUST ALWAYS touch the baby car seat or carrycot before placing your child in it, particularly if it has been left out in direct cold or sunlight; otherwise, it may be too cold or hot for your child's skin.
- b. You MUST NEVER ride in inclement or hazardous conditions, such as very cold weather that could cause your child to suffer frostbite, or extreme heat.
- c. In wet conditions, including unexpected rain, you SHOULD carry an official or approved waterproof covering that also allows your child to safely breathe.
- d. In colder conditions, you MUST ensure that your child, secured in the baby car seat or carrycot, has warmer clothes than you do.
- e. You MUST be aware that wind chill on the baby car seat or carrycot increases with speed; therefore, you MUST ensure your child is kept adequately warm.
- f. In warmer conditions, particularly on hot and sunny days, you MUST be aware that direct sunlight on the baby car seat or carrycot may overheat your child; you MUST ensure your child is kept adequately cool.
- g. You MUST be aware that your child's head may have more side-to-side (lateral) movement on a bicycle than in a car, due to tilting the bicycle during typical operation or taking evasive action while riding (for example, last-second avoidance of a hidden pothole).
- h. You MUST remove the baby car seat or carrycot when

transporting the bicycle in a car as air turbulence might damage the baby car seat or carrycot or loosen any attachment points, which could result in an accident.

## 5. MAINTENANCE AND ONGOING SAFETY

- a. You MUST regularly check for fractures or visible cracks in the baby car seat or carrycot, particularly the mechanisms that attach to the mounting arms of the Baby Carrier Mount.
- b. If any part of the baby car seat or carrycot is damaged or broken, either while on the bicycle or in any other incident, please contact your closest dealer or the manufacturer. You MUST replace it (or in some cases, the whole product), particularly if it has been subject to violent stresses, for example, in a car accident, or while attached to a pushchair/pram/stroller/buggy and accidentally tipped over. Any seemingly minor impacts can cause damage that you cannot see.
- c. You SHOULD regularly inspect the Baby Carrier Mount for any damage that could have occurred when the bicycle was not in use, for example, if someone accidentally tipped over your bicycle without your knowledge.
- d. You SHOULD regularly inspect the Baby Carrier Mount for any signs of unexpected damage or corrosion on bolts, nuts, mounting arms, and attachment points. Pay special attention to the cargo rack and its bolts, looking for any wear and tear that could pose a safety risk.
- e. You MUST inspect the bicycle, rack, Child Seat Rack, and Baby Carrier Mount carefully for any damage after an accident or crash. This includes any incidents when the bicycle is not set up to carry your child. If there is any doubt about integrity, DO NOT carry your child, and contact your local OMNIUM dealer or bicycle shop for further assessment.
- f. To clean the Baby Carrier Mount, use only lukewarm soapy water.