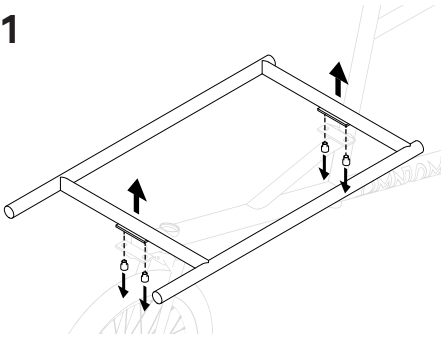


CHILD SEAT RACK

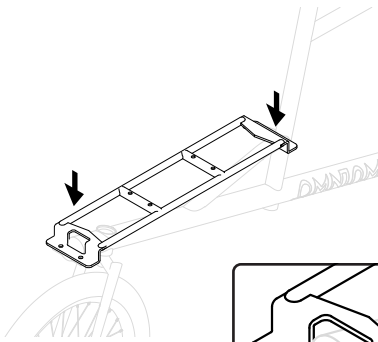


1




- Locate the four M10 bolts positioned underneath the rack.
- Unscrew the four M10 bolts to detach the rack.
- Detach the rack.

2



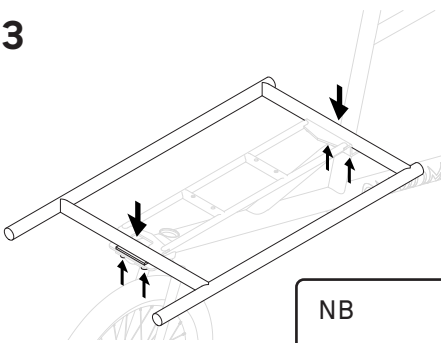
- Position your new child seat rack, ensuring that the four holes align with the corresponding holes on the frame's mounting plates.



IMPORTANT

Verify that the rack is mounted correctly, with the profile containing the hole facing forward.

3



- Carefully place the rack onto the child seat rack, ensuring proper alignment.
- Reinsert the M10 bolts into their respective positions.
- Tighten the M10 bolts securely (Torque 18-20 Nm).

NB

- Ensure both male bolt and female threads are free of debris.
- coat the bolt with grease.
- Align and thread the bolt into the female threads, avoiding cross-threading.